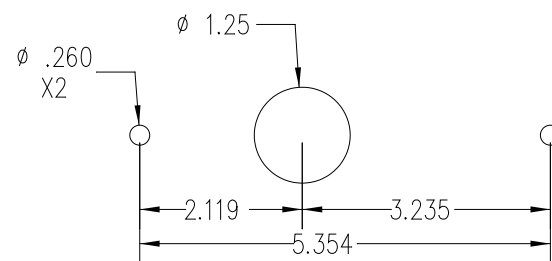
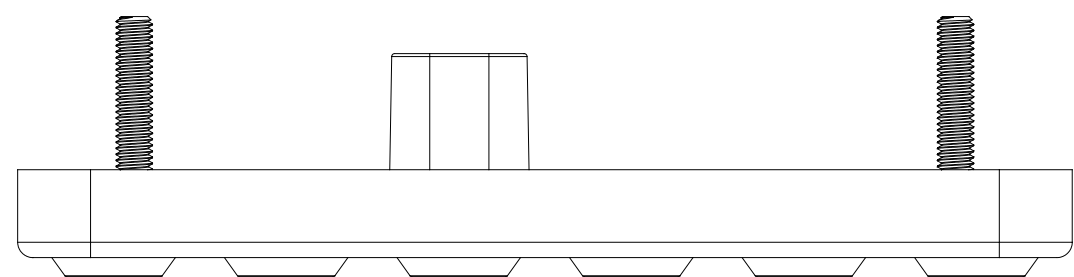
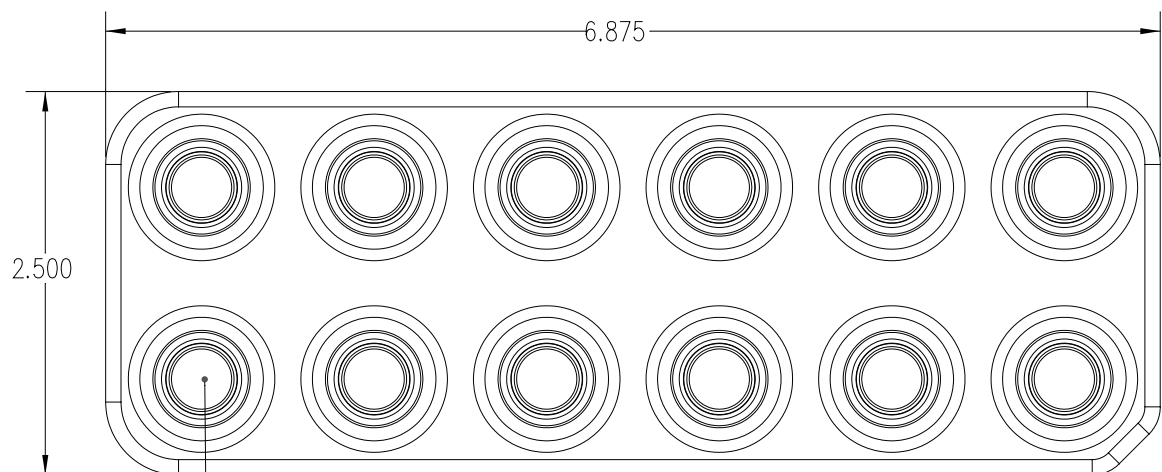


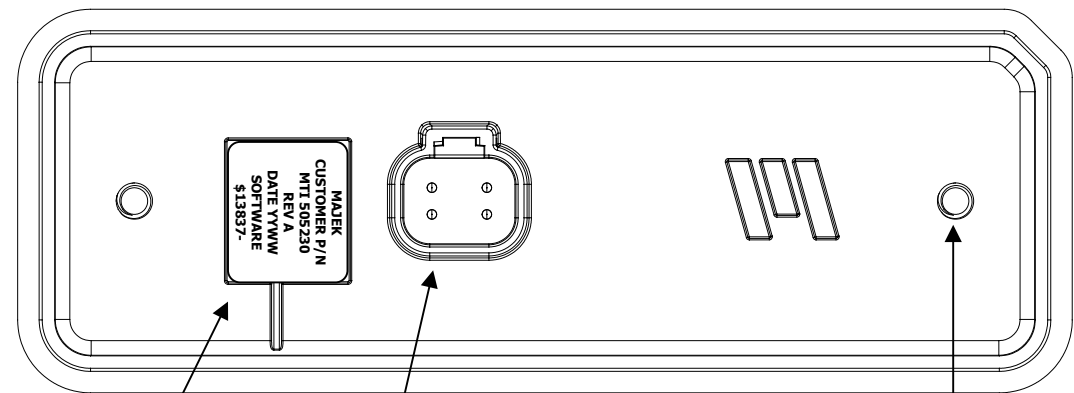
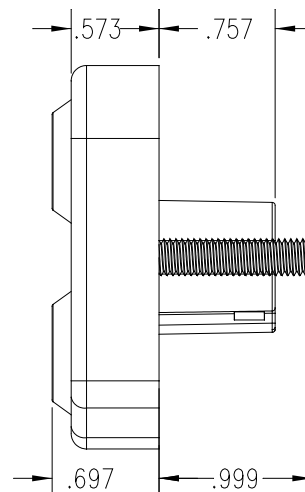
REVISIONS				
REV	DATE	ECN	DESCRIPTION	APVD
A	10/04/21	13829E	RELEASE TO PRODUCTION	-



RECOMMENDED PANEL CUT-OUT



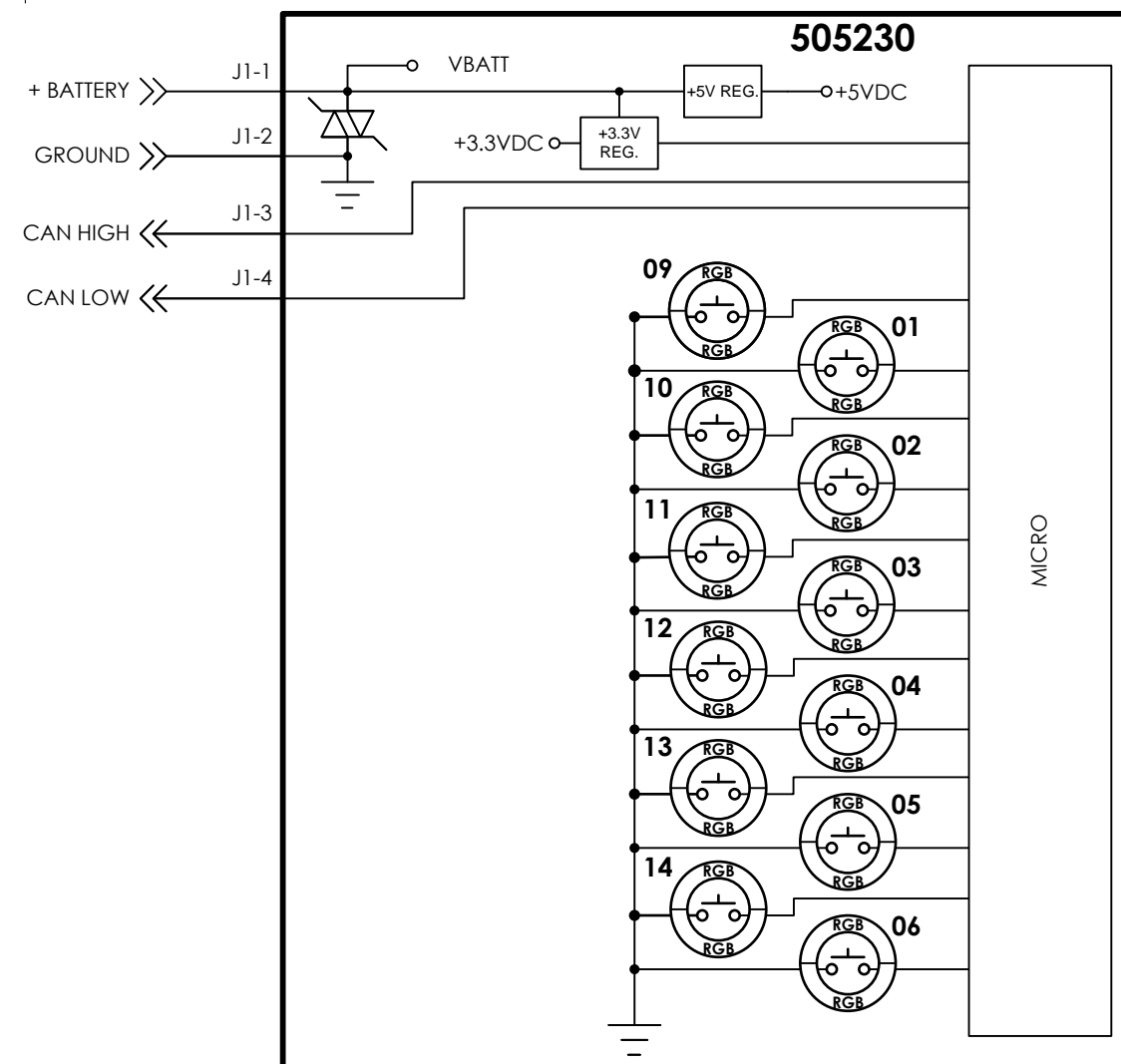
REFERENCE DRAWING 017180D\_ FOR ICON ARTWORK



M6 x 0.450 STUD (2PLCS)  
MAX. TORQUE = 35 IN LBS.

MAJEK  
CUSTOMER P/N  
MTI 505230  
REV A  
DATE YYWW  
SOFTWARE  
\$13837-

J1  
DEUTSCH DT15-4P  
MATES WITH  
DEUTSCH DT06-4S



- NOTES:
1. OPERATING VOLTAGE: +9VDC TO +36VDC (+12VDC OR 24VDC NOMINAL).
  2. REFERENCE CAN COMMUNICATION SPECIFICATION: 14413S-
  3. HANDLING PRECAUTION: DO NOT FLEX OR TWIST ASSEMBLY.

UNLESS OTHERWISE SPECIFIED, DIMENSIONS ARE IN INCHES AND TOLERANCES ARE				
TWO PLACE DECIMAL +/-	THREE PLACE DECIMAL +/-	ANGLES +/-		
<b>DO NOT SCALE DRAWING</b>				
CHECKED	DATE			
APPROVED	DATE			
<b>MARLIN TECHNOLOGIES INC.</b>				
TITLE <b>OUTLINE, 505230 MAJEK 12PB KEYPAD</b>				
SIZE <b>B</b>	DRAWING NUMBER <b>013831</b>		TYPE <b>O</b>	REV <b>X1</b>
DRAWN N. HIDDE		DATE 06/08/23	SHEET 1 OF 1	

THE INFORMATION CONTAINED ON THIS DRAWING IS PROPRIETARY AND CONFIDENTIAL TO MARLIN TECHNOLOGIES INC. UNAUTHORIZED USE OR DISTRIBUTION WITHOUT CONSENT IS PROHIBITED.