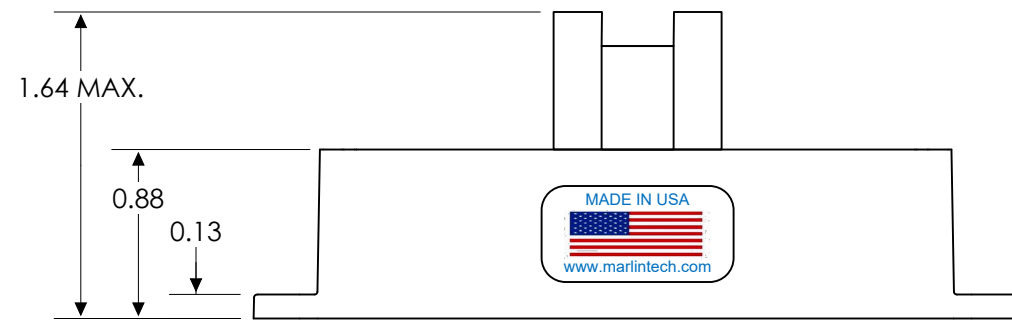


REVISIONS				
REV	DATE	ECN	DESCRIPTION	APVD
A	07/14/21	13741E	RELEASE TO PRODUCTION	JC



J1
DEUTSCH DT15-12PA-B016 OR EQUIVALENT
MATES WITH
DEUTSCH DT06-12SA-B016 PLUG
(XXXX = ALL MODIFICATIONS)
OR EQUIVALENT.

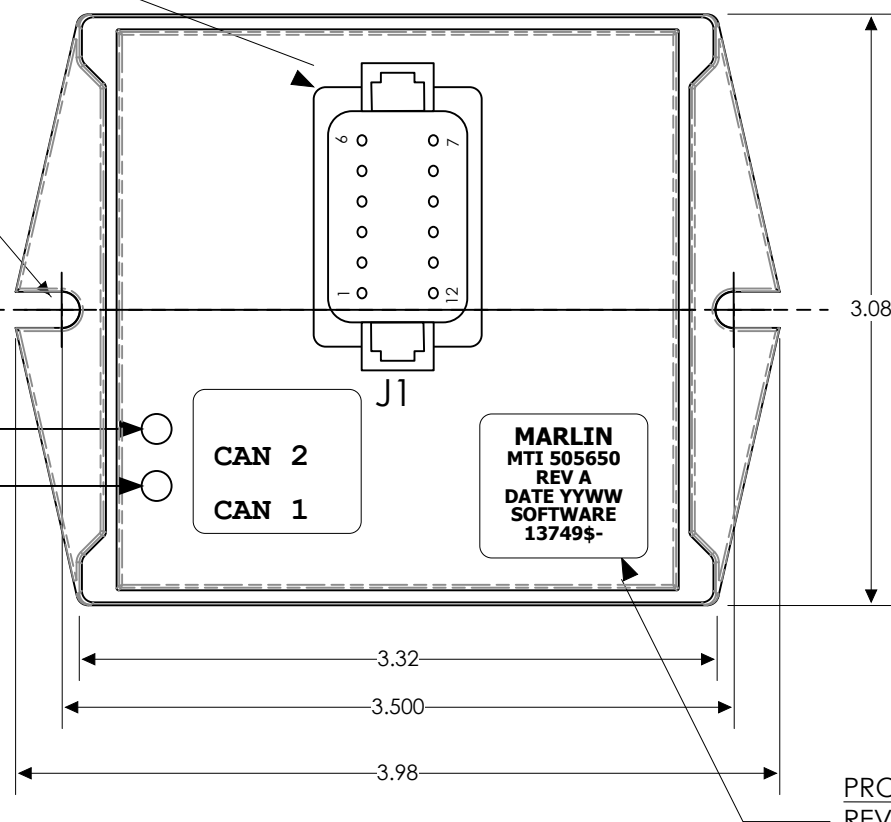
2 X .188 DIA

CAN 2 STATUS LED
CAN 1 STATUS LED

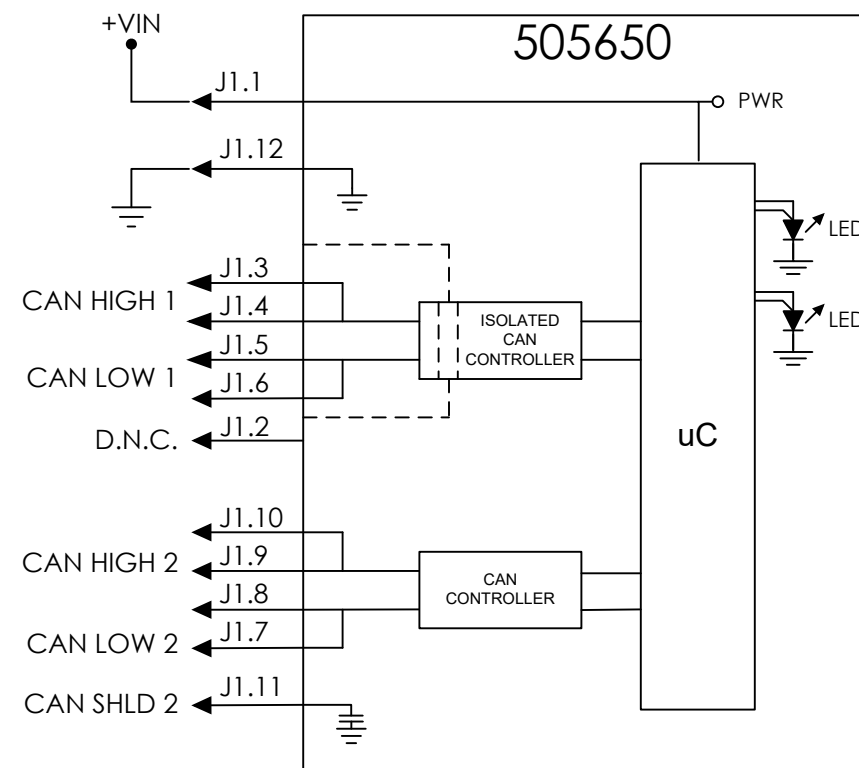
CAN 1 AND CAN 2 LED OPERATION:
GREEN = BLINKING WHEN A MESSAGE
IS SENT.

RED = TRANSMISSION ERROR DUE TO
DISCONNECTED BUS, BAUD RATE
MIS-MATCH, OR TRAFFIC
OVERLOAD.

AMBER = BEACON MODE.



PRODUCT LABEL
REV=BOM REVISION
LABEL DATE CODE:
YY=YEAR OF MANUFACTURE
WW=WEEK OF MANUFACTURE



OPERATING VOLTAGE: +9VDC TO +36VDC (+12VDC OR 24VDC NOMINAL).
REFERENCE FUNCTIONAL SPECIFICATION: 14065S_
REFERENCE CONFIGURATION SPECIFICATION: 14066S_
REFERENCE USER GUIDE: 14067U_
CANBUS PROTOCOL: SAE J1939/ISO 11783, 250KBS/500KBS/1MBS
505650 SOURCE ADDRESS: 0x99 (DEFAULT)
TERMINATION: NONE

UNLESS OTHERWISE SPECIFIED, DIMENSIONS
ARE IN INCHES AND TOLERANCES ARE

TWO PLACE DECIMAL +/- .05	THREE PLACE DECIMAL +/- .020	ANGLES +/-
---------------------------------	------------------------------------	---------------

DO NOT SCALE DRAWING

CHECKED	J. COOPER	DATE	06/20/2022
APPROVED	J. COOPER	DATE	06/20/2022

MARLIN TECHNOLOGIES INC.

TITLE
OUTLINE, 505650
ISOLATED CAN BRIDGE MODULE

SIZE B	DRAWING NUMBER 013743	TYPE O	REV A
DRAWN MBP	DATE 07/14/21	SHEET 1 OF 1	

THE INFORMATION CONTAINED ON THIS
DRAWING IS PROPRIETARY AND CONFIDENTIAL
TO MARLIN TECHNOLOGIES INC. UNAUTHORIZED
USE OR DISTRIBUTION WITHOUT CONSENT IS
PROHIBITED.