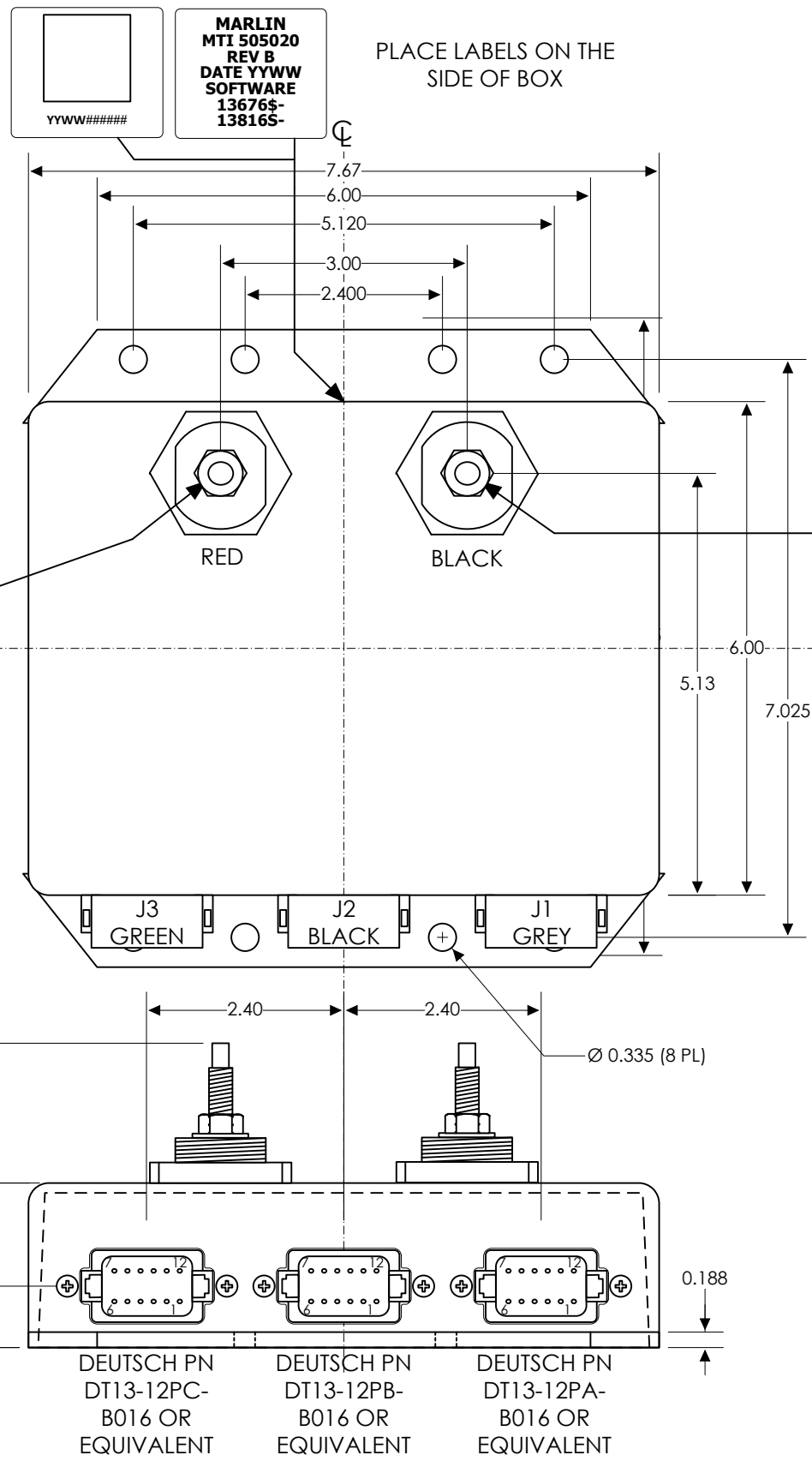


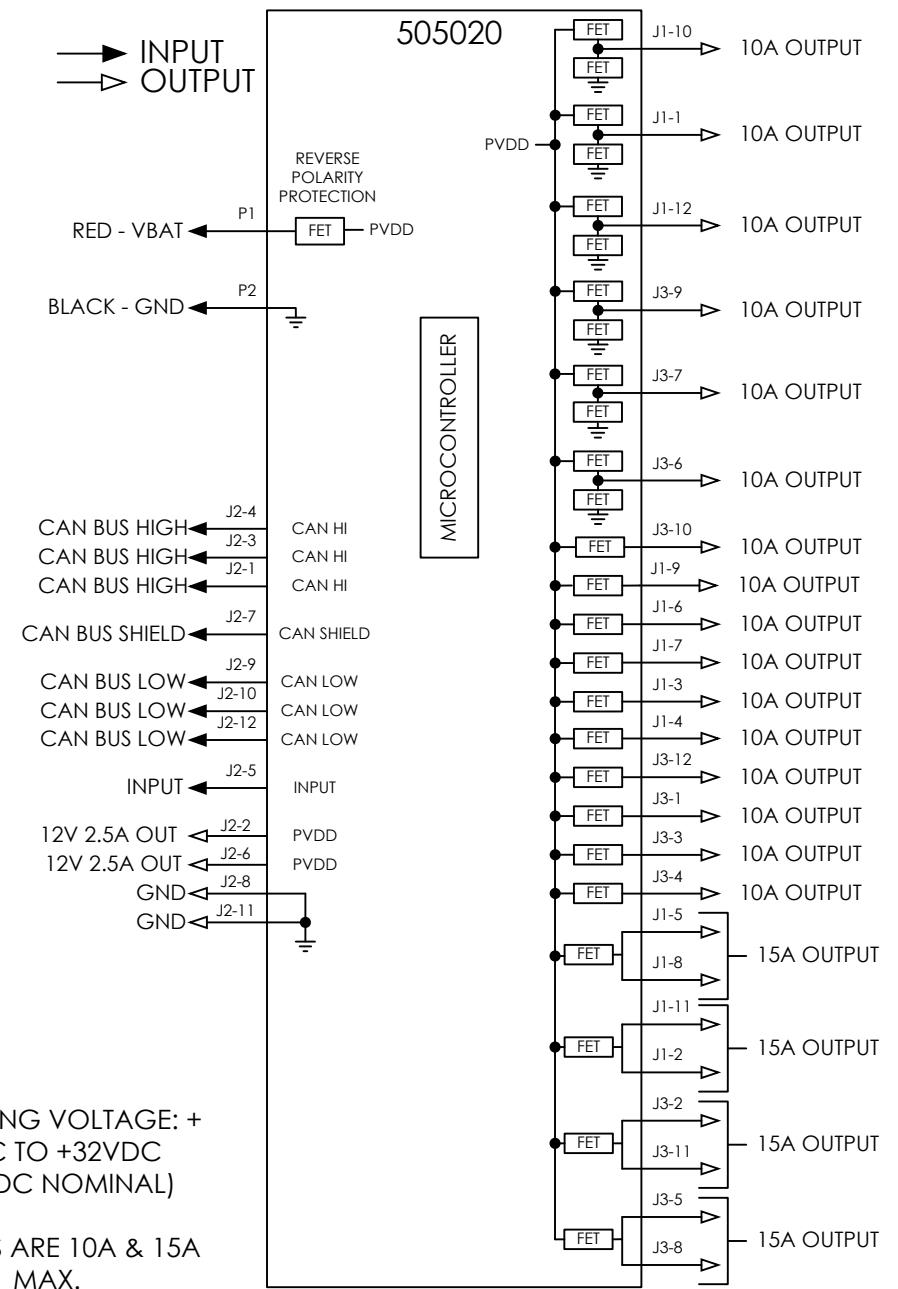
PRODUCT LABEL
 REV=BOM REVISION
 LABEL DATE CODE:
 YY=YEAR OF MANUFACTURE
 WW=WEEK OF MANUFACTURE

2D BAR CODE FORMAT
 YYWW#####
 WHERE YYWW DATECODE
 AND
 ##### = SEQUENTIAL SERIAL NUMBER

2D BAR CODE
 (SEE 2D BAR CODE
 FORMAT)
 IDENTIFICATION LABEL DETAIL



REVISIONS				
REV	DATE	ECN	DESCRIPTION	APVD
A	03/30/21	13668E	RELEASE TO PRODUCTION	SMJ
B	1/31/22	13970E	PRODUCT LABEL REV B WAS REV A	JC



OPERATING VOLTAGE: +
 9VDC TO +32VDC
 (+12VDC NOMINAL)
 OUTPUTS ARE 10A & 15A
 MAX.

UNLESS OTHERWISE SPECIFIED, DIMENSIONS
 ARE IN INCHES AND TOLERANCES ARE

TWO PLACE DECIMAL +/- .05	THREE PLACE DECIMAL +/- .020	ANGLES +/-
---------------------------------	------------------------------------	---------------

MARLIN TECHNOLOGIES INC.

TITLE: **OUTLINE, 505020**
DIGITAL SWITCHER 1IN/20OUT

SIZE B	DRAWING NUMBER 013670	TYPE O	REV B
CHECKED S. JOHNSON	DATE 10/01/21	DRAWN M. SCHELL	DATE 10/28/21
APPROVED S. JOHNSON	DATE 10/28/21	SHEET 1 OF 1	

THE INFORMATION CONTAINED ON THIS DRAWING IS PROPRIETARY AND CONFIDENTIAL TO MARLIN TECHNOLOGIES INC. UNAUTHORIZED USE OR DISTRIBUTION WITHOUT CONSENT IS PROHIBITED.