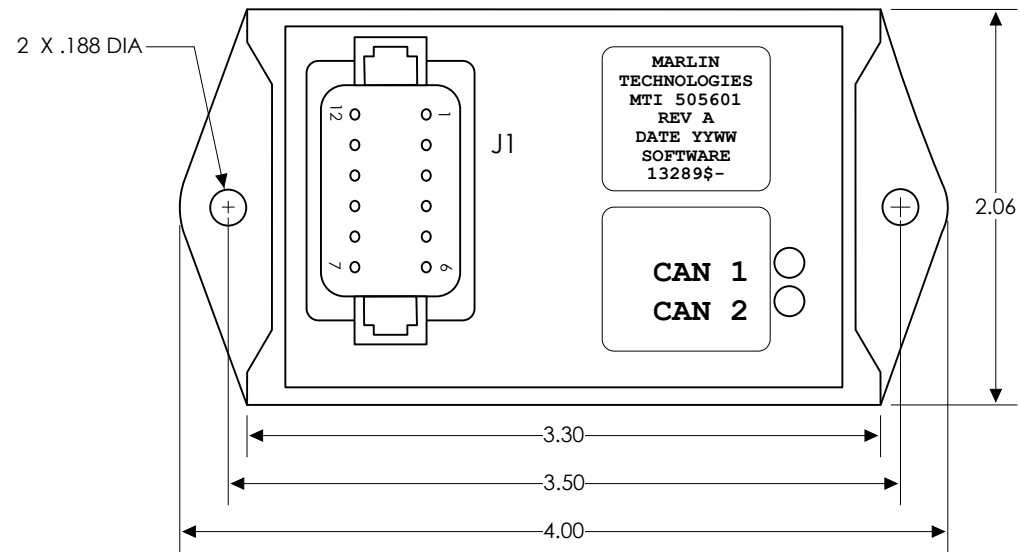
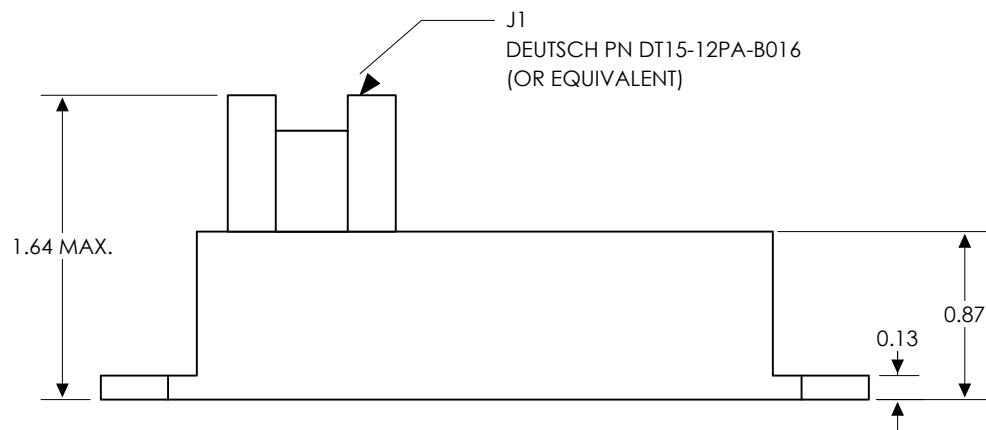


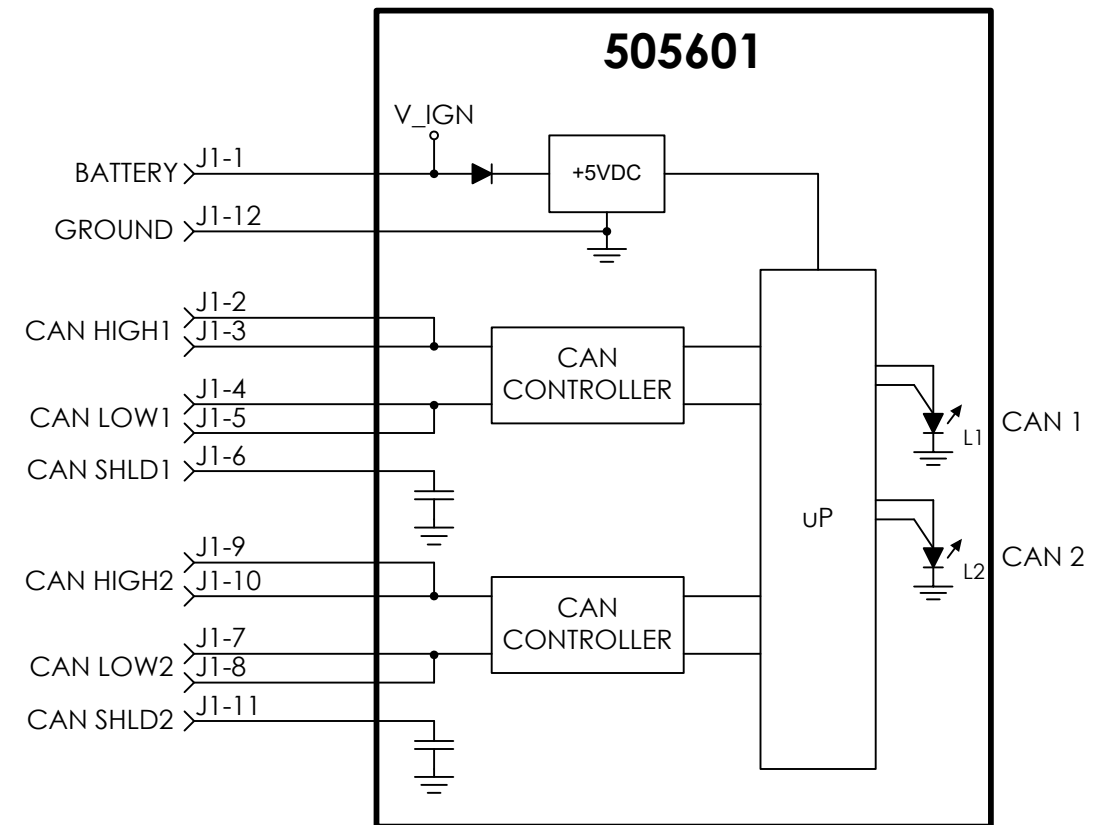
PRODUCT LABEL
 REV=BOM REVISION
 LABEL DATE CODE:
 YY=YEAR OF MANUFACTURE
 WW=WEEK OF MANUFACTURE



CAN 1 AND CAN 2 LED OPERATION:
 GREEN = BLINKING WHEN A MESSAGE IS SENT.
 RED = TRANSMISSION ERROR DUE TO DISCONNECTED BUS, BAUD RATE MIS-MATCH, OR TRAFFIC OVERLOAD.
 AMBER = BEACON MODE.



REVISIONS				
REV	DATE	ECN	DESCRIPTION	APVD
A	11/05/19	13282E	RELEASE TO PRODUCTION	SMJ
B	09/05/20	13475E	UPDATE CANBUS PROTOCOL NOTE	SMJ



OPERATING VOLTAGE: +9VDC TO +36VDC (+12VDC OR 24VDC NOMINAL).
 CANBUS PROTOCOL: SAE J1939/ISO 11783, 250KBS/500KBS/1MBS
 505601 SOURCE ADDRESS: 0x99 (DEFAULT)
 TERMINATION: NONE

THE INFORMATION CONTAINED ON THIS DRAWING IS PROPRIETARY AND CONFIDENTIAL TO MARLIN TECHNOLOGIES INC. UNAUTHORIZED USE OR DISTRIBUTION WITHOUT CONSENT IS PROHIBITED.

UNLESS OTHERWISE SPECIFIED, DIMENSIONS ARE IN INCHES AND TOLERANCES ARE			MARLIN TECHNOLOGIES INC.			
TWO PLACE DECIMAL +/- .05	THREE PLACE DECIMAL +/- .020	ANGLES +/-				
DO NOT SCALE DRAWING			SIZE B	DRAWING NUMBER 013284	TYPE O	REV B
CHECKED S. JOHNSON	DATE 03/02/20	DRAWN M. SCHELL		DATE 11/19/19	SHEET 1 OF 1	
APPROVED S. JOHNSON	DATE 03/30/20					