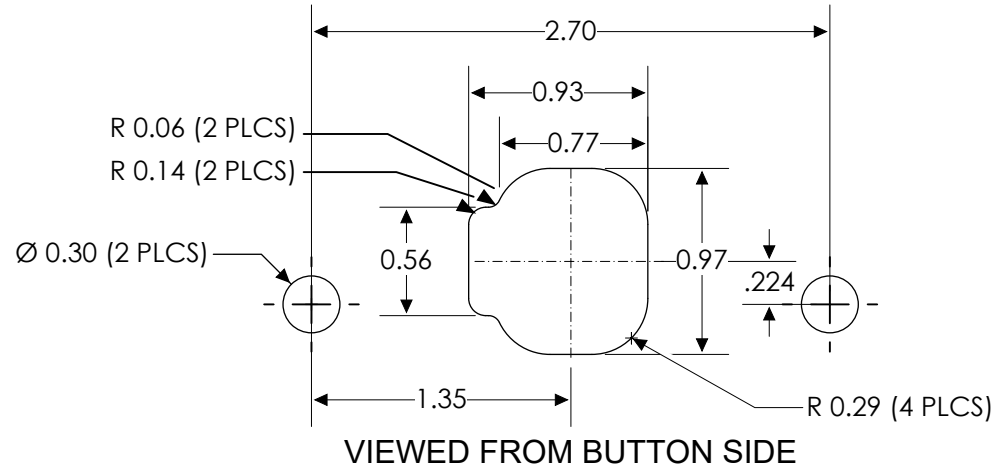
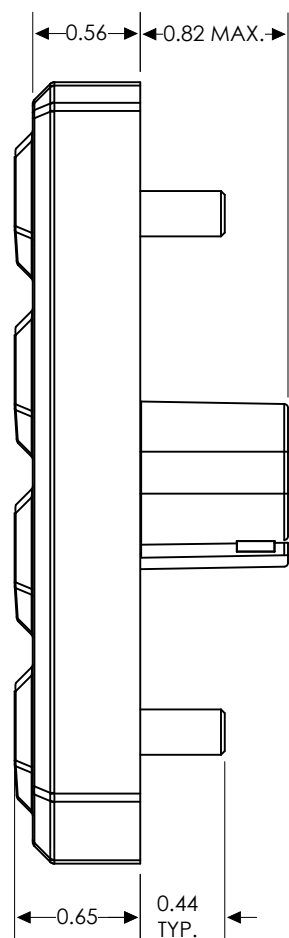
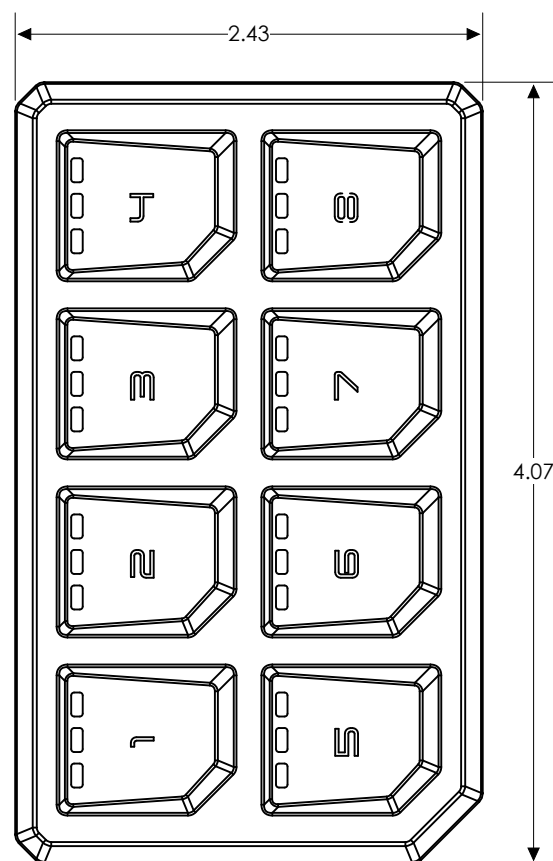
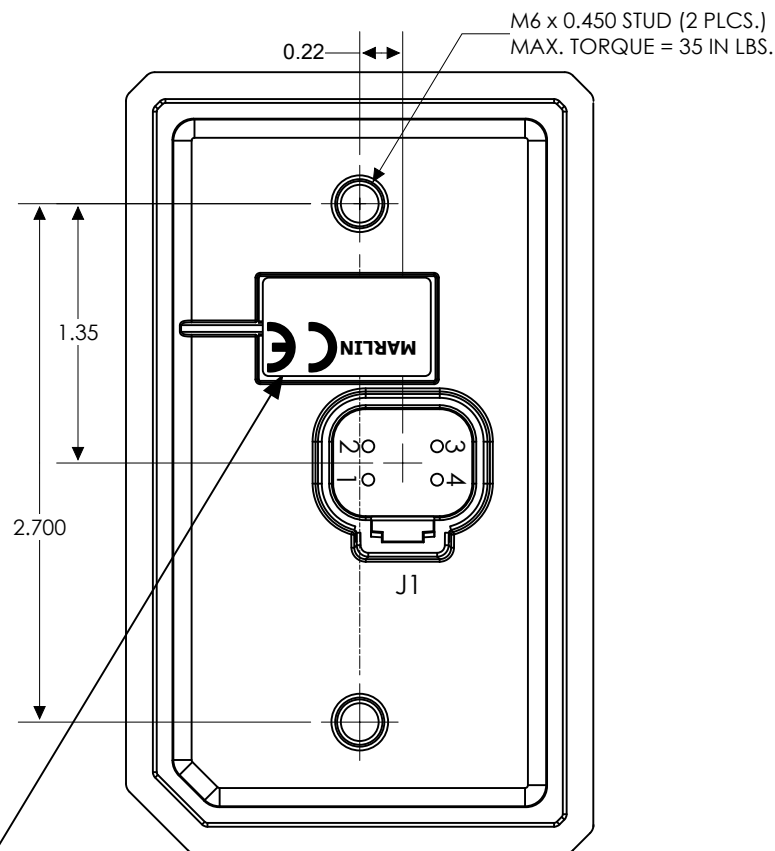


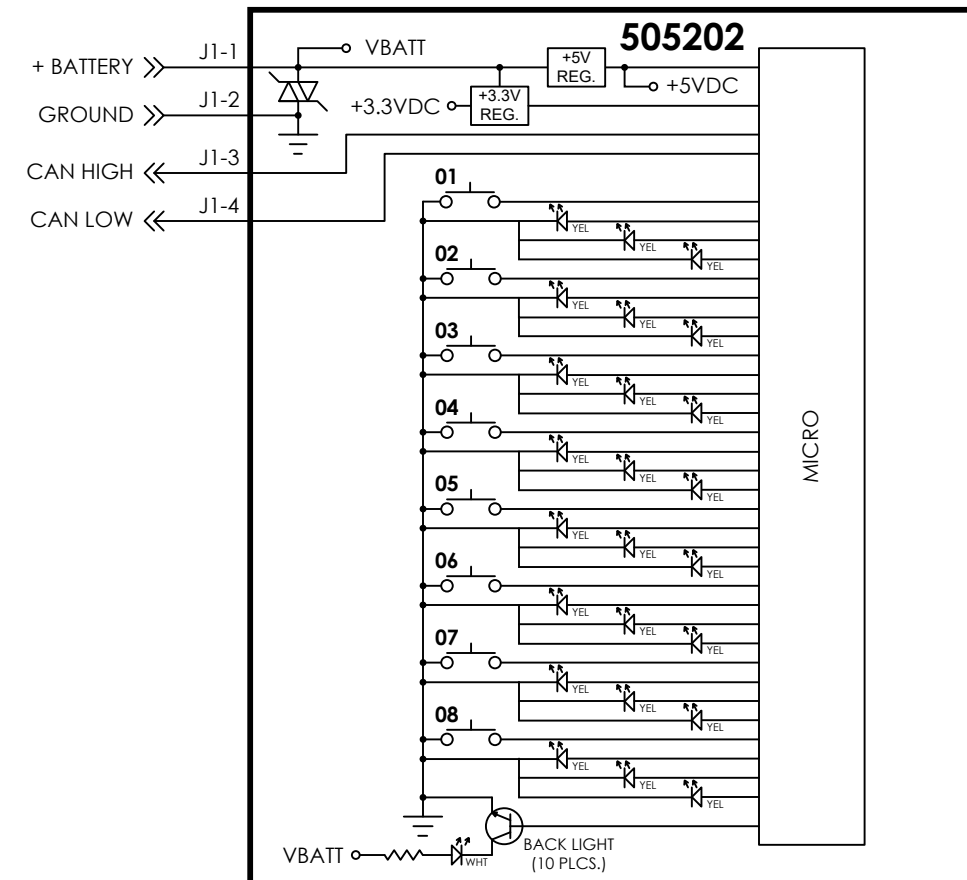
**TOP
RECOMMENDED PANEL CUT-OUT**



VIEWED FROM BOTTOM SIDE



REVISIONS				
REV	DATE	ECN	DESCRIPTION	APVD
B	04/30/21	13703E	PRODUCTION LABEL REV B WAS REV A UPDATED RECOMMENDED PANEL CUT-OUT	SMJ
C	10/12/21	13854E	UPDATED PROD LBL WITH CE MARK	SMJ



- NOTES:
 1. OPERATING VOLTAGE: +9VDC TO +36VDC (+12VDC OR 24VDC NOMINAL).
 2. REFERENCE CAN COMMUNICATION SPECIFICATION: 13182S-
 3. HANDLING PRECAUTION: DO NOT FLEX OR TWIST ASSEMBLY.



PRODUCT LABEL
 REV=BOM REVISION
 LABEL DATE CODE:
 YY=YEAR OF MANUFACTURE
 WW=WEEK OF MANUFACTURE

THE INFORMATION CONTAINED ON THIS DRAWING IS PROPRIETARY AND CONFIDENTIAL TO MARLIN TECHNOLOGIES INC. UNAUTHORIZED USE OR DISTRIBUTION WITHOUT CONSENT IS PROHIBITED.

UNLESS OTHERWISE SPECIFIED, DIMENSIONS ARE IN INCHES AND TOLERANCES ARE

TWO PLACE DECIMAL	THREE PLACE DECIMAL	ANGLES
+/- 0.05	+/- 0.020	+/-

DO NOT SCALE DRAWING

CHECKED	S. JOHNSON	DATE	06/30/20
APPROVED	S. JOHNSON	DATE	07/13/20

MARLIN TECHNOLOGIES INC.

TITLE
 OUTLINE, 505202
 CONFIGURABLE 8 POS KYPD

SIZE	DRAWING NUMBER	TYPE	REV
B	013170	O	C
DRAWN M. SCHELL	DATE 04/21/20	SHEET 1 OF 1	