

M-FLEX MFD GATEWAY

The M-Flex MFD Gateway bridges the J1939 and NMEA 2000 networks, connecting Marlin's digital switcher to your multifunction display. This bridge allows control of your boat's navigation and anchor lights, spreader lights, bilge pumps, RGB lights, flood lights, livewell and baitwell pumps, etc., from the MFD or from Marlin's keypads.



M-Flex CAN Bridge Modules are typically used for construction, agriculture and turf care equipment, utility and power sports vehicles, marine, military, outdoor power equipment and similar harsh environment applications.



FEATURES

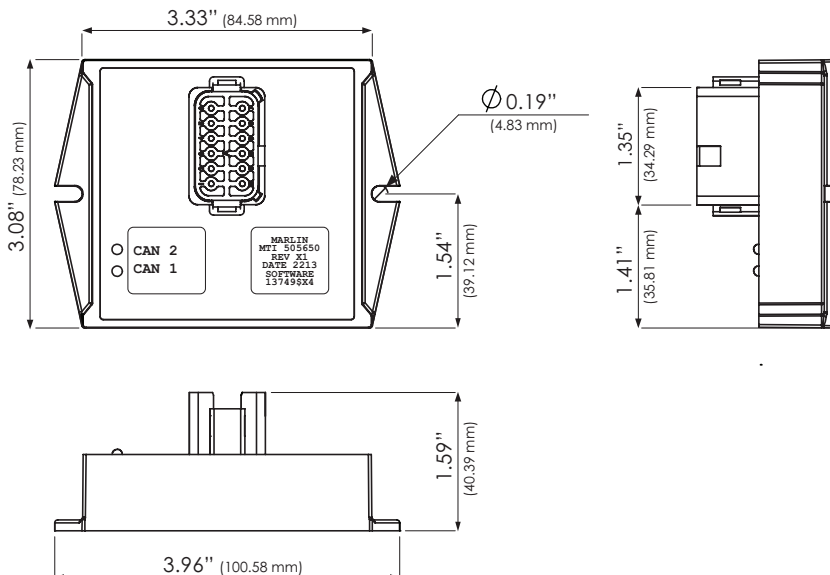
- Designed for severe duty, outdoor mobile applications
- Two CANbus for bridging between two networks
- Galvanic isolation between the two CAN network power supplies
- Designed for 12V and 24V applications
- Operate as a bridge and node simultaneously
- Each channel configurable for 250, 500, 1,000 Kbps
- Each channel has 40 filters to pass or block messages based on entire CAN ID, J1939, or J1939 source address
- Two diagnostic LEDs for CANbus power and communication status
- Beacon indicator for identifying bridge module when multiple bridges used on a network
- Fully encapsulated electronics for complete environmental protection
- Deutsch DT-style connectors
- IP67 rated and IP69K (with appropriate boot)
- RoHS compliant
- User configurable software tool provided by Marlin

SPECIFICATIONS

Specifications subject to change without notice. \ Revised 09.22

Supply Voltage	8-36 VDC operating range, reverse polarity protected
Baud Rate	Auto detection for 250/500/1,000 Kbps
CAN Protocol	SAE J1939 CAN 2.0A- and 2.0B-compliant, NMEA 2000-compliant
CAN Channels	Two-channel bridge for connecting two CANbus networks
Connectors	Deutsch DT15-12PA
Mounting	Two M6 or 1/4" screws (6.35 mm screws)
Ingress Protection	IP67 rated and IP69K (with appropriate boot)
Operating Temperature	-40 C to 85 C
Storage Temperature	-40 C to 85 C
Weight	5.5 oz
Packaging	3.0"W x 3.0"L x 0.87"H (76.2 mm x 76.2 mm x 22.1 mm) Noryl enclosure with mounting tabs, fully encapsulated

DIMENSIONS



For a detailed specification visit
marlintech.com/m-flex

Marlin Technologies, Inc.
 101 Industrial Drive \ P.O. Box 123
 Horicon, WI 53032-1803
 920.485.4463 \ P
 920.485.2899 \ F

MARLINTECH.COM