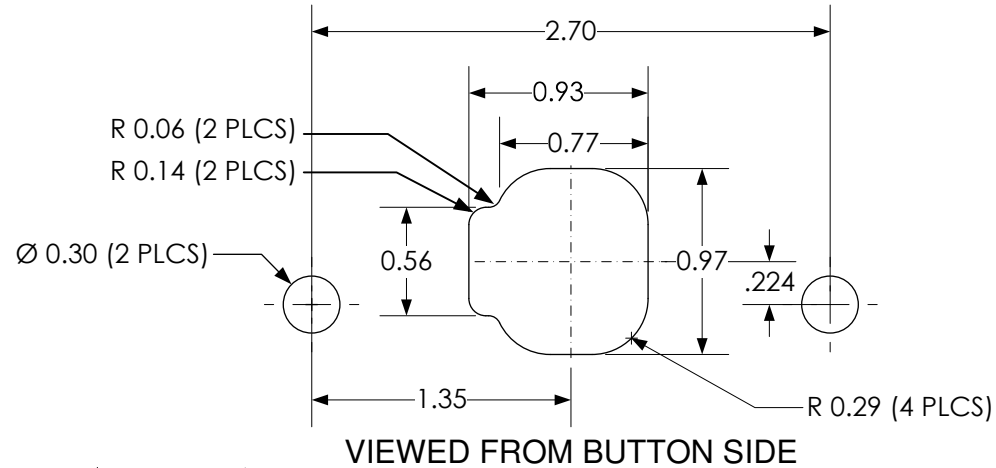
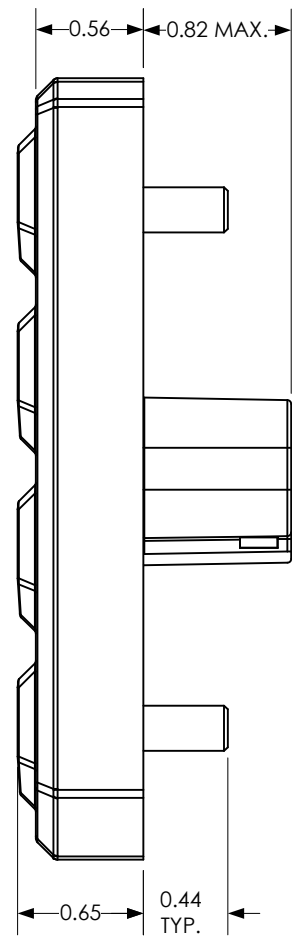
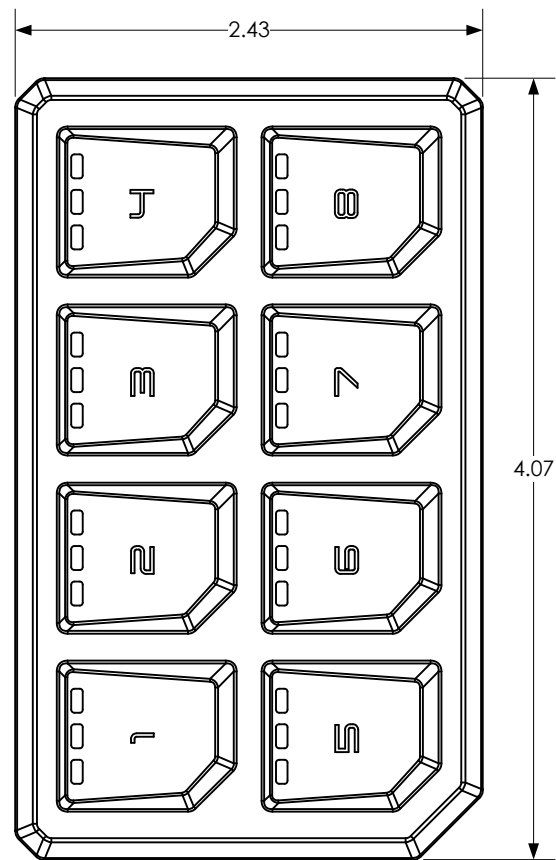
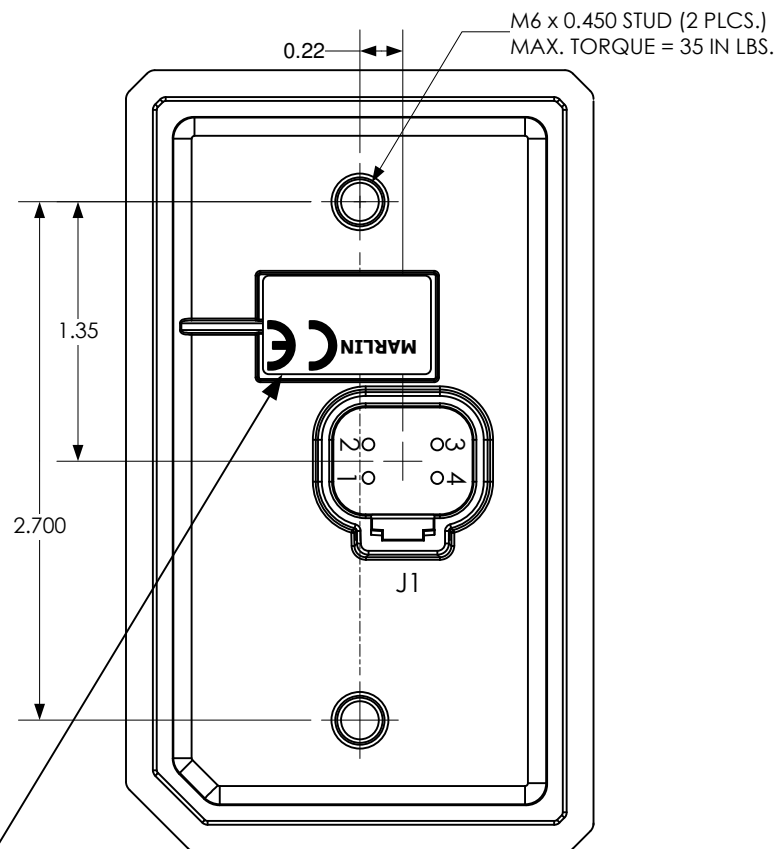


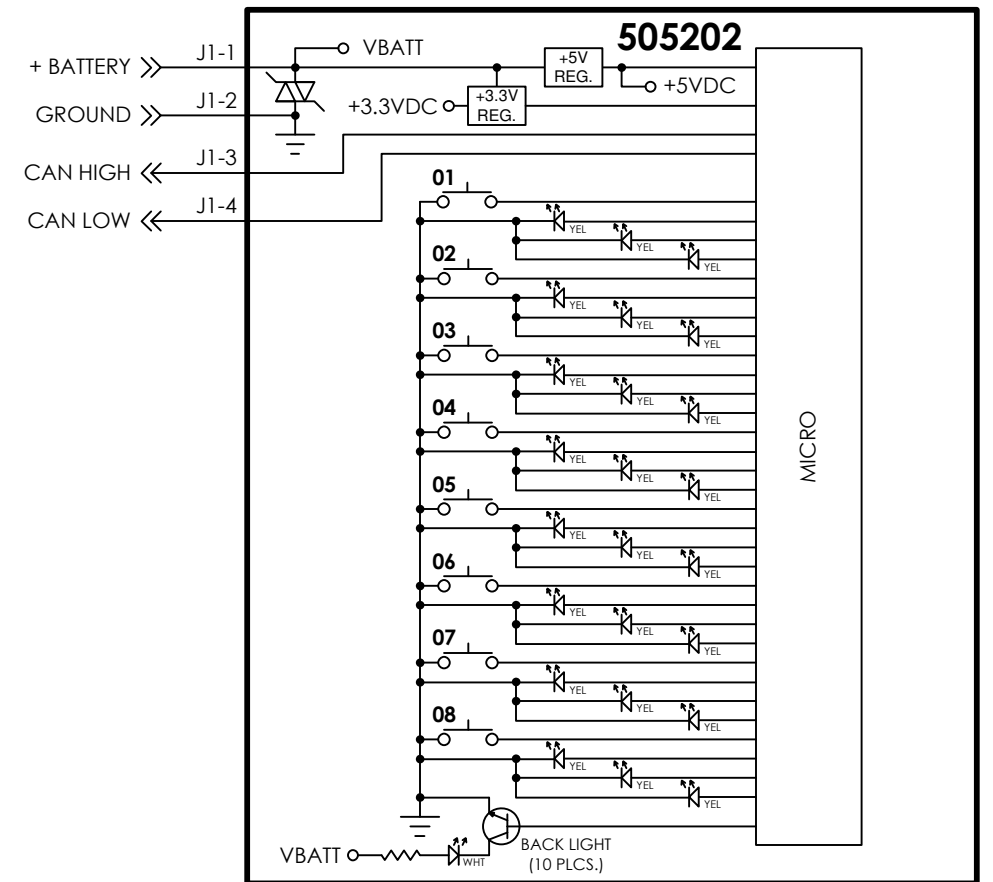
TOP
RECOMMENDED PANEL CUT-OUT



VIEWED FROM BUTTON SIDE



REVISIONS				
REV	DATE	ECN	DESCRIPTION	APVD
B	04/30/21	13703E	PRODUCTION LABEL REV B WAS REV A UPDATED RECOMMENDED PANEL CUT-OUT	SMJ
C	10/12/21	13854E	UPDATED PROD LBL WITH CE MARK	SMJ



- NOTES:
 1. OPERATING VOLTAGE: +9VDC TO +36VDC (+12VDC OR 24VDC NOMINAL).
 2. REFERENCE CAN COMMUNICATION SPECIFICATION: 13182S-
 3. HANDLING PRECAUTION: DO NOT FLEX OR TWIST ASSEMBLY.



PRODUCT LABEL
 REV=BOM REVISION
 LABEL DATE CODE:
 YY=YEAR OF MANUFACTURE
 WW=WEEK OF MANUFACTURE

THE INFORMATION CONTAINED ON THIS
 DRAWING IS PROPRIETARY AND CONFIDENTIAL
 TO MARLIN TECHNOLOGIES INC. UNAUTHORIZED
 USE OR DISTRIBUTION WITHOUT CONSENT IS
 PROHIBITED.

UNLESS OTHERWISE SPECIFIED, DIMENSIONS ARE IN INCHES AND TOLERANCES ARE			
TWO PLACE DECIMAL +/- 0.05	THREE PLACE DECIMAL +/- 0.020	ANGLES +/-	
DO NOT SCALE DRAWING			
CHECKED	S. JOHNSON	DATE 06/30/20	
APPROVED	S. JOHNSON	DATE 07/13/20	
MARLIN TECHNOLOGIES INC.			
TITLE OUTLINE, 505202 CONFIGURABLE 8 POS KYPD			
SIZE B	DRAWING NUMBER 013170	TYPE O	REV C
DRAWN M. SCHELL		DATE 04/21/20	SHEET 1 OF 1