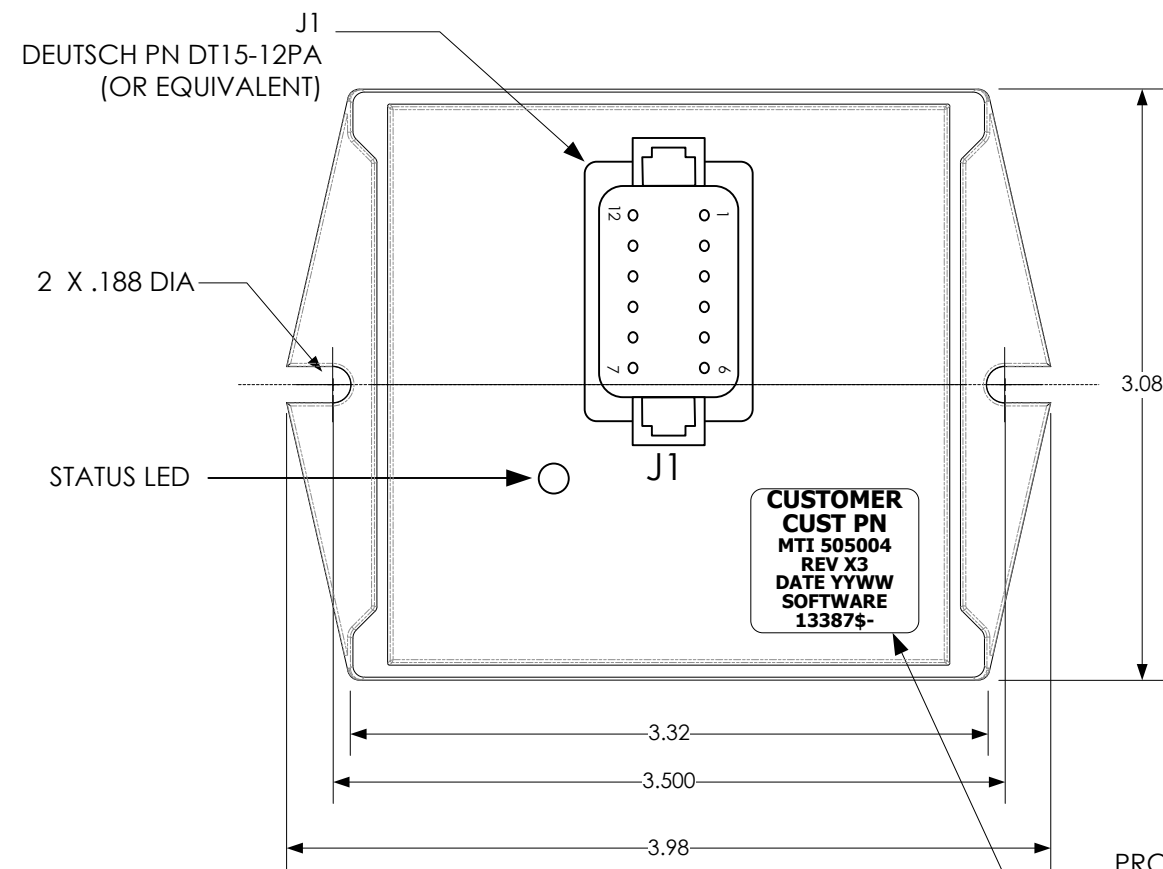
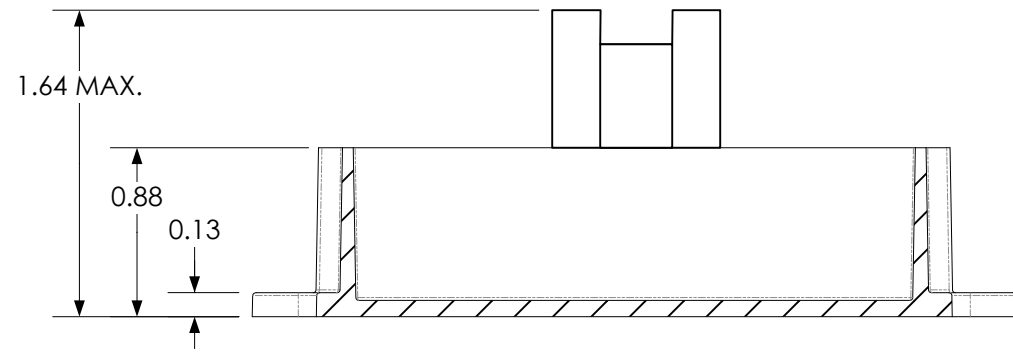
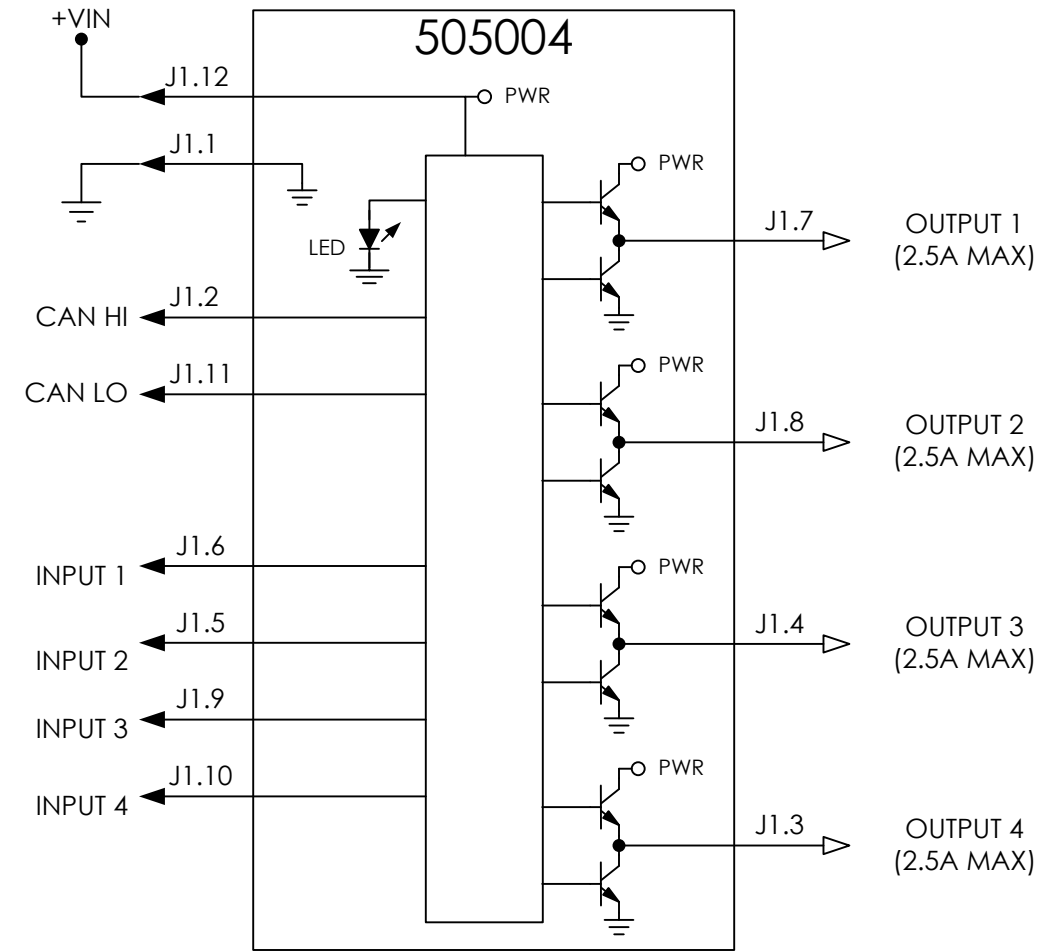


REVISIONS				
REV	DATE	ECN	DESCRIPTION	APVD
A	04/17/20	13379E	RELEASE TO PRODUCTION	-



PRODUCT LABEL
 REV=BOM REVISION
 LABEL DATE CODE:
 YY=YEAR OF MANUFACTURE
 WW=WEEK OF MANUFACTURE

THE INFORMATION CONTAINED ON THIS DRAWING IS PROPRIETARY AND CONFIDENTIAL TO MARLIN TECHNOLOGIES INC. UNAUTHORIZED USE OR DISTRIBUTION WITHOUT CONSENT IS PROHIBITED.



OPERATING VOLTAGE: +9VDC TO +36VDC (+12VDC OR 24VDC NOMINAL).
 REFERENCE CAN COMMUNICATION SPECIFICATION: XXXXS_
 REFERENCE FUNCTIONAL SPECIFICATION: 13388S_
 CANBUS PROTOCOL: SAE J1939/ISO 11783, 250KBS/500KBS
 505004 SOURCE ADDRESS: 0x99 (DEFAULT)
 TERMINATION: NONE

UNLESS OTHERWISE SPECIFIED, DIMENSIONS ARE IN INCHES AND TOLERANCES ARE				MARLIN TECHNOLOGIES INC.			
TWO PLACE DECIMAL +/- .05		THREE PLACE DECIMAL +/- .020		ANGLES +/-		TITLE OUTLINE, 505004 MFLEX 4IN/4OUT CAN MODULE	
DO NOT SCALE DRAWING				SIZE B	DRAWING NUMBER 013381	TYPE O	REV X4
CHECKED	NAME	DATE	XX/XX/XX	DRAWN	M. SCHELL	DATE	10/15/20
APPROVED	NAME	DATE	XX/XX/XX	SHEET		1 OF 1	